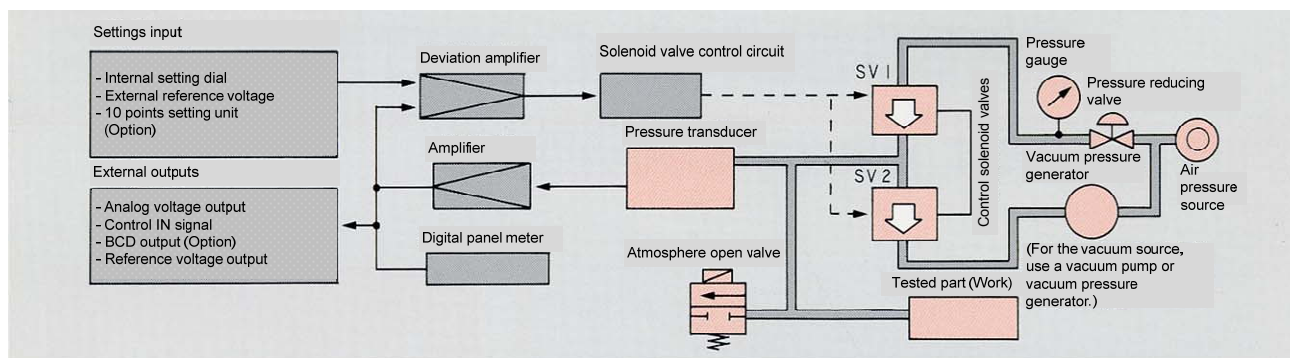


■ System Diagram

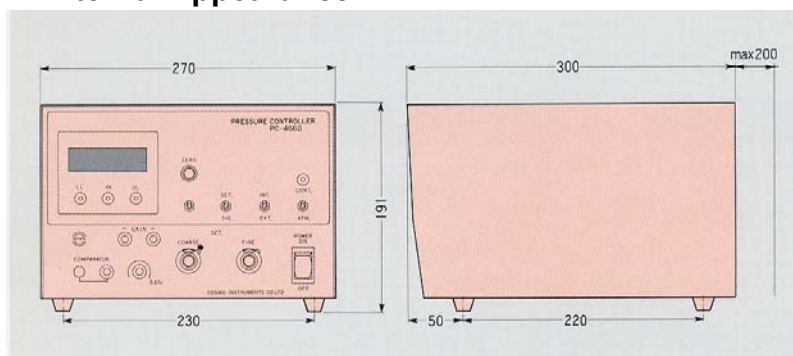


Pressure is controlled by SV1 (positive pressure control valve) and SV2 (vacuum pressure control valve). Switching of the valves is controlled at high-speed and accurately by the square-wave control current that is turned on and off at its natural frequency. Variation in the output pressure is always captured by the pressure sensor and fed back to the control circuit. When the tested part (Work) has a leak or deformation, the pressure cannot be controlled.

■ Specification

Range	0 to 1kPa, 0 to 2kPa 0 to 5kPa, 0 to 10kPa 0 to 20kPa 0 to 50kPa, 0 to 100kPa 0 to 200kPa, 0 to 500kPa	Air pressure source	500kPa ≤ (When the pressure range is from 0 to 500kPa, the air pressure source should be at least 700kPa.) The pressure gauge, pressure reducing valve, and vacuum pressure generator are standard accessories of the controller.
Parts to be tested (Work)	Sealed parts that have no leak, no deformation and no volume change. Larger internal volume takes longer control time.	Control response	20% F.S. Response about 1.5 s (When the internal volume is 80 mL) 90% F.S. Response about 3 s (When the internal volume is 80 mL)
Control accuracy	±0.05% of F.S.	Power source	AC100V±10%
Pressure sensor accuracy	±0.15% of F.S.	Temperature range	5 to 40°C
Pressure sensor temperature characteristics	Zero: ±0.03% /°C Span: ±0.03% /°C	Fluid type	Air
Display	0 to ±19999 (4.5-digit display)	Option	BCD output (open collector or TTL). Compound pressure, Auto-zero
Port size	Rc1/8	Weight	About 12kg
		Peripherals	10 points setting unit

■ External Appearance



■ I/O Signals

Pin name	Pin no.	Spec.
Analog output	18,19	0 to 5V DC
IN signal output	12,13	Output of contact point a
Reference voltage output	16,17	5.1V DC
External setting input	18,20	0 to 5V DC
Start / Stop signal input	14,15	When the signal is connected, control stops.

* Pins 16 and 18 are COM pins.

* The contents in this Product Information are as of August 2014. The information is subject to change without prior notice.

COSMO INSTRUMENTS CO., LTD.
2974-23 Ishikawa Hachioji, Toyo Japan
Phone: +81-(0)42-642-1357 Fax: +81-(0)42-646-2439
<http://www.cosmo-k.co.jp/>

China
U.S.A
Korea
Taiwan
Malaysia

Indonesia
Vietnam
Thailand
India
Brazil

Germany
Australia
U.K.
Mexico